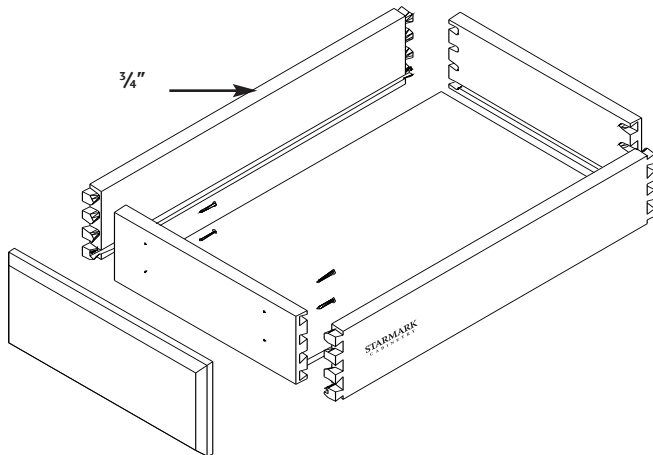


StarMark Custom and StarMark

► DRAWER BOX CONSTRUCTION

All wood, very durable.

The four-sided drawer box is constructed of $\frac{3}{4}$ " hardwood with dovetail corner joints. All surfaces are sealed and topcoated. A captive $\frac{1}{4}$ " plywood drawer bottom is surfaced with durable, easy-to-clean melamine.



► DRAWER GLIDE SYSTEM

BLUMOTION®

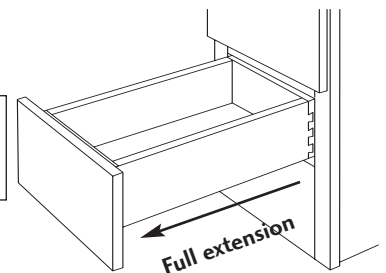
Full extension, self-closing, and so-o-o quiet.

Drawer glides are Blum's Soft Close, featuring full extension and quiet, self-closing track system. The drawer glides are undermounted to the drawer box to virtually eliminate any drawer hardware from being visible.

Each glide includes ball-bearing movement and an automatic closing feature to ensure smooth and positive operation. Glides are mounted to the rear of each cabinet with mounting sockets, automatically centering the drawer, for proper drawer alignment. Release triggers are located under the drawer box for detaching a drawer from the glides.

Each drawer glide system is rated at 100 pounds.

Undermount full extension
 $\frac{3}{4}$ " drawer material
Blumotion Soft Close



★ The perfect complement to full extension tandem runners, Blumotion steers even fully loaded drawers to a smooth, silent closure. No rattle of silverware. No crash and thud each time the utensil drawer shuts. **Just a smooth, silent operation where the drawer closes itself the final two inches and rests securely in place.**

► FULL EXTENSION ROLL TRAYS

The four-sided roll tray is constructed of $\frac{3}{4}$ " hardwood with dovetail corner joints. All surfaces are sealed and topcoated. A captive $\frac{1}{4}$ " plywood bottom is surfaced with durable, easy-to-clean melamine.

Roll tray glides are Blum's Soft Close, featuring full extension and quiet, self-closing track system. The roll tray glides are undermounted to virtually eliminate any hardware from being visible.

Each glide includes ball-bearing movement and an automatic closing feature to ensure smooth and positive operation. This roll tray system is rated at 100 pounds.

Trimmer pilasters means an inch more storage in each tray. Pilasters are predrilled every $1\frac{1}{2}$ " for adjustment with just a screwdriver.

LOOK FOR
THIS SYMBOL



This symbol indicates information on a product, service or feature that gives StarMark and you a distinct competitive advantage.

StarMark Custom

► 1. END PANELS

$\frac{3}{4}$ " thick unfinished veneer core plywood glued and stapled into face frame dadoes for rigidity. Wall, base, and utility cabinets are bored to receive adjustable shelf supports. There is a $\frac{1}{4}$ " reveal behind the frame: see top view diagram on page 21.

OPTIONS

Finished end panels: block 12060.
Furniture end panels: block 12065. This eliminates the $\frac{1}{4}$ " reveal.
Flush end panels: block 12070. This eliminates the $\frac{1}{4}$ " reveal.

► 2. TOPS & BOTTOMS

Cabinet tops and bottoms are $\frac{1}{2}$ " veneer core plywood and they are surfaced with natural birch melamine (for added moisture resistance and cleanability) on the interior and exterior, glued to the face frame dado and end panel dado, then glued and stapled into the backrail for rigidity.

► 3. BACKS

Backs are $\frac{1}{4}$ " plywood with veneer exterior and natural birch melamine interior. Backs are secured to the backrail rabbet and end panel rabbet with staples and glue.

OPTIONS

Finished Back block 12560. The standard back is replaced with a $\frac{3}{4}$ " veneer core plywood panel that has been finished. Perfect for when the back of the cabinet will be visible, such as island and peninsula applications.
Finished Panel Back block 12562. The standard back is replaced with an Authentic Desk Island panel (wainscot).

► 4. BACKRAIL

Backrails are $\frac{1}{2}$ " thick veneer core plywood rabbeted to receive tops, bottoms and backs.

► 5. FACE FRAMES

Face frames are $\frac{3}{4}$ " thick select solid hardwood. Rails and stiles are joined with concealed screws and glue. Rails and stiles are dadoed to receive end panels, tops and bottoms.

★ StarMark Custom uses veneer core plywood for end panels, tops and bottoms. Compare our material to other cabinetry companies.

StarMark

► 1. END PANELS

$\frac{1}{2}$ " thick unfinished veneer core plywood glued and stapled into face frame dadoes for rigidity. Wall, base, and utility cabinets are bored to receive adjustable shelf supports. There is a $\frac{1}{4}$ " reveal behind the frame: see top view diagram on page 21.

OPTIONS

Finished end panels: block 12060.
Furniture end panels: block 12065. This eliminates the $\frac{1}{4}$ " reveal.
Flush end panels: block 12070. This eliminates the $\frac{1}{4}$ " reveal.

► 2. TOPS & BOTTOMS

Cabinet tops and bottoms are $\frac{1}{2}$ " veneer core plywood and they are surfaced with natural birch melamine (for added moisture resistance and cleanability) on the interior and exterior, glued to the face frame dado and end panel dado, then glued and stapled into the backrail for rigidity.

► 3. BACKS

Backs are $\frac{1}{4}$ " plywood with veneer exterior and natural birch melamine interior. Backs are secured to the backrail rabbet and end panel rabbet with staples and glue.

► 4. BACKRAIL

Backrails are $\frac{1}{2}$ " thick veneer core plywood rabbeted to receive tops, bottoms and backs.

► 5. FACE FRAMES

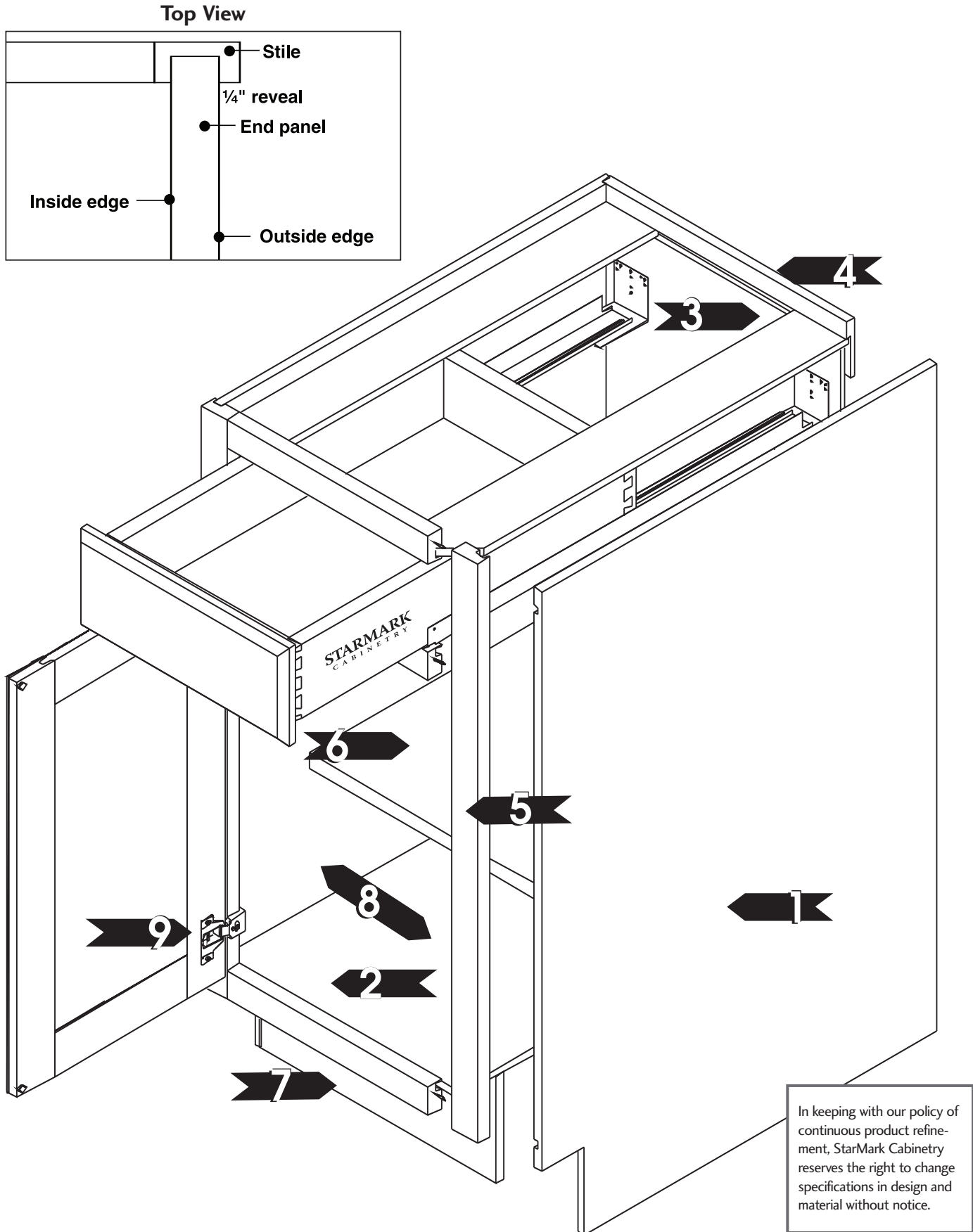
Face frames are $\frac{3}{4}$ " thick select solid hardwood. Rails and stiles are joined with concealed screws and glue. Rails and stiles are dadoed to receive end panels, tops and bottoms.

★ StarMark uses veneer core plywood for end panels, tops and bottoms. Compare our material to other cabinetry companies.

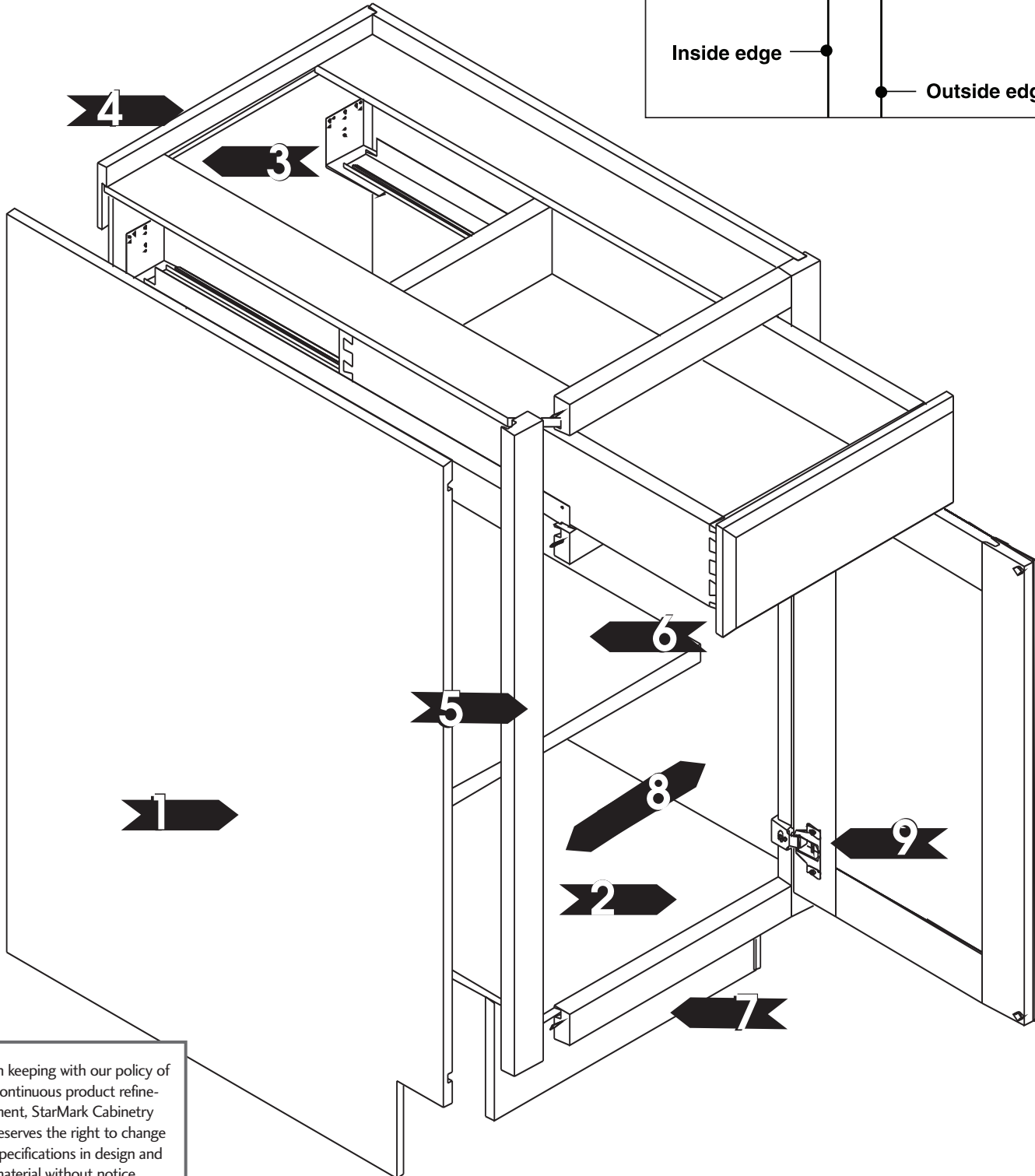
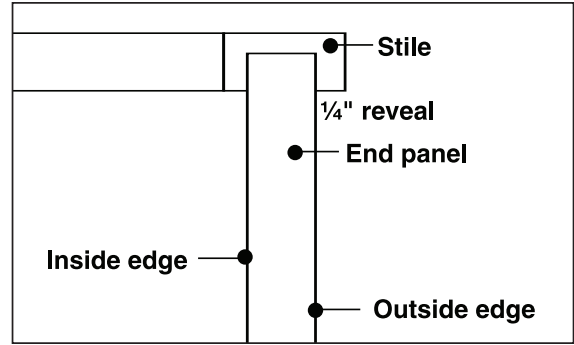
LOOK FOR
THIS SYMBOL



This symbol indicates information on a product, service or feature that gives StarMark and you a distinct competitive advantage.



Top View



In keeping with our policy of continuous product refinement, StarMark Cabinetry reserves the right to change specifications in design and material without notice.

StarMark Custom

► 6. SHELVES

Wall and base shelves are ¾" thick engineered wood surfaced with natural birch melamine. Base shelves are two-thirds depth.

All wall cabinet shelves and base cabinet shelves are adjustable. Matching edge banding is attached to front of shelf.

Cabinets ordered with stained interiors receive ¾" plywood shelves with veneer on both sides. The shelves receive stain, sealer and top coat.

OPTIONAL SHELVES

Full depth shelves: block 12810

Plywood shelves: block 12620



When you upgrade to plywood shelves, the cabinet becomes "all wood."

► 7. TOE BOARDS

Toe boards are unfinished ½" thick veneer core plywood, stapled to and located between the end panels. Plywood (veneer) toe board trim (block 10000) is recommended to cover the toe boards.

► 8. INTERIOR

Cabinet interiors are surfaced with natural birch melamine.

OPTIONS:

Cabinets ordered with stained interiors (block 12330) have hardwood veneer on the interior. It is stained, sealed and topcoated. The shelves are plywood veneer.

Cabinets ordered with Full Veneer Interior (block 12335) have maple veneer on all interior surfaces—top, bottom, shelves, side panels, back panel and drawer bottom. The shelves switch to plywood so the cabinet is all wood. Tops and bottoms of wall cabinets have maple veneer on the exterior.



Standard interiors in both lines—StarMark Custom and StarMark—are the same, so you can blend cabinets from both lines and the interiors will match.
Please Note: the Full Veneer Interior is available in StarMark Custom only. StarMark Custom cabinets with this option will not match StarMark cabinets.

► 9. HINGES

A **six-way adjustable concealed hinge** is standard on all full international and traditional doors except First Edition. The hinge has a quick and easy cam adjustment. It adjusts up and down, left and right, and in and out. The door will have a 106 degree swing.

Knife hinges are an option only on traditional overlay door styles. Knife hinges have a dependable one-piece spring latch locking mechanism to hold doors closed with gentle tension. The swing of a door with a knife hinge will range between 120 to 165 degrees. The Bedford door style will not have a full 165 degree swing. Additionally, the swing of the door may be restricted by adjacent cabinetry, decorative hardware and other items. Knife hinges are self-closing, adjustable and finished in Antique Brass and polymer.

StarMark

► 6. SHELVES

Wall and base shelves are ¾" thick engineered wood surfaced with natural birch melamine. Base shelves are two-thirds depth.

All wall cabinet shelves and base cabinet shelves are adjustable. Matching edge banding is attached to front of shelf.

Cabinets ordered with stained interiors receive ¾" plywood shelves with veneer on both sides. The shelves receive stain, sealer and top coat.

OPTIONAL SHELVES

Full depth shelves: block 12810

► 7. TOE BOARDS

Toe boards are unfinished ½" thick veneer core plywood, stapled to and located between the end panels. Plywood (veneer) toe board trim (block 10000) is recommended to cover the toe boards.

► 8. INTERIOR

Cabinet interiors are surfaced with natural birch melamine.

OPTIONS:

Cabinets ordered with stained interiors (block 12330) have hardwood veneer on the interior. It is stained, sealed and topcoated. The shelves are plywood veneer.



Standard interiors in both lines—StarMark Custom and StarMark—are the same, so you can blend cabinets from both lines and the interiors will match.
Please Note: the Full Veneer Interior is available in StarMark Custom only. StarMark Custom cabinets with this option will not match StarMark cabinets.

► 9. HINGES

A **six-way adjustable concealed hinge** is standard on all full international and traditional doors except First Edition. The hinge has a quick and easy cam adjustment. It adjusts up and down, left and right, and in and out. The door will have a 106 degree swing.

Knife hinges are an option only on traditional overlay door styles. Knife hinges have a dependable one-piece spring latch locking mechanism to hold doors closed with gentle tension. The swing of a door with a knife hinge will range between 120 to 165 degrees. The Bedford door style will not have a full 165 degree swing. Additionally, the swing of the door may be restricted by adjacent cabinetry, decorative hardware and other items. Knife hinges are self-closing, adjustable and finished in Antique Brass and polymer.

SPECIE CHARACTERISTICS

All woods will darken and mellow with age. Also, variation is one of the inherent beauties of wood. Because of this, the grain, texture and color of any sample will vary from any other sample. Variations will be more apparent when viewing larger samples, displays, and entire rooms of cabinetry.

Alder



Alder is a soft hardwood with a fine, straight grain and even texture. Color is light brown with a yellow or reddish tinge. When you compare alder's heartwood with its sapwood, there is insignificant color difference. Alder does not evolve in color or darken when exposed to light or heat as other woods do. Alder takes stains and finishes well. It is one of the softest hardwoods so it can be damaged easily. Some small tight knots can be found with standard Alder.

Lines	StarMark Custom and StarMark
Door Styles	See charts on page S-88-89.
NOTE	See box at lower right for information on Modifications and Accessories when used in an Alder order.

Cherry



Cherry displays a distinctive grain pattern and warm color shadings, ranging from nearly white to dark reddish brown. Dark pockets, pin knots and random streaks are common. More than most woods, cherry will darken when exposed to light, especially in light stains.

Lines	StarMark Custom and StarMark
Door Styles	See charts on pages S-82-83.

Rustic Alder



Rustic Alder will have "character" spots (knot, burl, blemish, etc.) on the center panels, and they may also be on the stiles and rails of the door, and on the drawer header, which could impact hardware placement. Knots, if they appear, will be sound and will be closed. At certain angles, light could be visible through the knot. Alder is one of the softest hardwoods so it can be damaged easily.

Lines	StarMark Custom and StarMark
Door Styles	See charts on page S-88-89.
Upcharge	None
NOTE	See box at lower right for information on Modifications and Accessories when used in a Rustic Alder order.

Rustic Cherry



With Rustic Cherry, wide color variation may occur, and sap wood will be more prominent. There will be "character" spots (knot, burl, blemish, etc.) on the center panels, and they may also be on the stiles and rails of the door, and on the drawer header, which could impact hardware placement. Knots, if they appear, will be sound and will be closed. At certain angles, light could be visible through the knot.

Lines	StarMark Custom and StarMark
Door Styles	See charts on pages S-82-83.
Upcharge	6%

NOTES/CAUTIONS

1. A Finish Expectations form, signed by you and the client, should be secured at the time of sale and kept in your files for possible future use. The Finish Expectations form is found on pages S-30-33 of this section.

NOTES/CAUTIONS

1. A Finish Expectations form, signed by you and the client, should be secured at the time of sale and kept in your files for possible future use. The Finish Expectations form is found on pages S-30-33 of this section.

NOTE THIS ABOUT ALDER CABINERY

Many accessories are available in Alder. If an accessory is not available in Alder, in many cases Cherry can be successfully substituted. We will note that in the DESIGN CONSIDERATIONS section of the item. In very few cases, there is no Alder option, and we don't recommend Cherry as a substitute.